

**BALDOR® • RELIANCE** 

**Product Information Packet**

**ELECTRIC MOTOR WHOLESAL.COM**

**GPP12540**

**.13HP,DC,PSSM-0,2416P,TENV,F1**

| Part Detail |      |             |       |                |          |               |              |
|-------------|------|-------------|-------|----------------|----------|---------------|--------------|
| Revision:   | U    | Status:     | PRD/A | Change #:      |          | Proprietary:  | No           |
| Type:       | DC   | Prod. Type: | 2416P | Elec. Spec:    | 24WGZ026 | CD Diagram:   | CD1899       |
| Enclosure:  | TENV | Mfg Plant:  |       | Mech. Spec:    |          | Layout:       | 24A099Z026G1 |
| Frame:      |      | Mounting:   |       | Poles:         | 00       | Created Date: |              |
| Base:       |      | Rotation:   | R     | Insulation:    | F        | Eff. Date:    | 06-02-2015   |
| Field Type: |      | Literature: |       | Elec. Diagram: |          | Replaced By:  |              |

| Specs                 |                 |  |  |
|-----------------------|-----------------|--|--|
| Enclosure:            | TENV            |  |  |
| Gearhead Type:        | PARALLEL SHAFT  |  |  |
| Gear Ratio:           | 5:1             |  |  |
| Gear Style:           | PSM             |  |  |
| Mounting Arrangement: | 0.000           |  |  |
| Product Family:       | General Purpose |  |  |

|                            |   |
|----------------------------|---|
| <b>Nameplate NP1220A08</b> |   |
| <b>CAT.NO.</b>             | GPP12540  |
| <b>SER.NO.</b>             |   |
| <b>SPEC.</b>               | 24A099Z026G1  |
| <b>FRAME</b>               | PSM <b>TYPE</b> 2416P   |
| <b>HP</b>                  | .13 TE  |
| <b>VOLTS</b>               | 90DC  |
| <b>AMP</b>                 | 1.35  |
| <b>F.F.</b>                | 1.56 <b>CLASS</b> F   |
| <b>AMB.</b>                | 40 <b>DUTY</b> CONT   |
| <b>BRUSHES</b>             | 2/BP5052BP01  |
| <b>R.P.M.</b>              | 500   |
| <b>TORQ/IN LB</b>          | 15  |
| <b>RATIO</b>               | 5:1   |
| <b>APRV-CE</b>             | <input type="checkbox"/> <b>APRV-CUL</b> <input type="checkbox"/> |

| Parts List    |  |          |
|---------------|--|----------|
| Part Number   | Description                              | Quantity |
| SA099554      | SA 24A099Z026G1                          | 1.000 EA |
| AA009132      | AA 24A099Z026G1                          | 1.000 EA |
| LC0899A07     | CONNECTION LABEL, DCPM CW ROTATION CE CO | 1.000 EA |
| BP5052BP01SP  | BRUSH, GRADE R884 NATIONAL CARBON (FOR 1 | 1.000 EA |
| HG0060A01CL   | HSG,PSM EP 24DC 2 STAGE                  | 1.000 EA |
| BMH1716       | WASHER,PREC 1.175"X.751"X.020"           | 1.000 EA |
| HW5002A45     | RETAINING RING,WALDES TRUARC N5002-118   | 1.000 EA |
| HW4600G58     | SEAL,10X20X4MM PGS 25002184 VITON VT802  | 1.000 EA |
| HA4021A05     | 1/16 NPSF-HX SOC PIPE PLUG TAPER DRY SEA | 1.000 EA |
| HW3064E05     | 1/8 X 1/2 PIN DRIVE LOK TYPE H           | 1.000 EA |
| NP1220A08     | NP,DC STD AD NONE V GEAR MOTOR CE CUL    | 1.000 EA |
| 24EP3102A01L  | EP,24DC 0DE CL 0.63P4                    | 1.000 EA |
| HW5109A13     | WASHER, WAVE SPRING FOR 26MM BORE SMALLE | 1.000 EA |
| BP4529SP      | BRUSH TUBE HOLDER:BBR1097                | 1.000 EA |
| 80XN1032A04   | 10-32 X 1/4 SET SCREW                    | 2.000 EA |
| BP4530SP      | BRUSH TUBE CAP:BBR1094                   | 1.000 EA |
| WD4102A01     | SR-6L-1 HEYCO STRN RELIEF OR 23MPO6L10 M | 1.000 EA |
| BCB1111-115   | CABLE ASS'Y, 18-3-SJTO 24F               | 1.000 EA |
| 55XT0632G03   | 6-32 X 0.187 RD HD PHILLIPS, SERRATED    | 1.000 EA |
| HA3100A32     | THRUBOLT 10-32 X 5.500                   | 2.000 EA |
| SG0052A40     | SHAFT,ASSY PSM LONG INT1 2RED 1.0/5.0    | 1.000 EA |
| SG0052A41     | SHAFT,ASSY PSM LONG OUTP 2RED 0.0/1.0    | 1.000 EA |
| BCG5495-001CL | CAP,PSM STD                              | 1.000 EA |
| RM1020A24     | O-RING,3.690 I.D. X .073 BUNA BGA4882    | 1.000 EA |

| <b>Parts List (continued)</b> |  |                 |
|-------------------------------|--|-----------------|
| <b>Part Number</b>            | <b>Description</b>                       | <b>Quantity</b> |
| HW4600D90                     | SEAL 0.625 X 1.000 X 0.250 SINGLE LIP    | 1.000 EA        |
| BH1103                        | SCE1010 NEEDLE, SCE1010 .625X.812X.625   | 1.000 EA        |
| 84XN1032J16                   | SCREW, SOC HD CAP 10-32 X 1"             | 4.000 EA        |
| MJ1000B02                     | KLUB. GH6-460 GEAR OIL 1 GALLON          | 0.066 GA        |
| HW2501D10                     | KEY, 3/16 SQ X 1.000                     | 1.000 EA        |
| MN416A01                      | TAG-INSTAL-MAINT no wire (1100/bx) 11/14 | 1.000 EA        |
| CPA1000                       | PACKING GROUP STD. SINGLE                | 1.000 EA        |
| MG2000A14                     | RUST VETO 342 RUST INHIBITOR             | 0.001 GA        |
| ME4000                        | .375-.75" DIA.#SW-04 WOVEN SHAFT PROTECT | 0.080 FT        |

| <b>Accessories</b> |   |                   |
|--------------------|---|-------------------|
| <b>Part Number</b> | <b>Description</b>                      | <b>Multiplier</b> |
| B92                | BASE-HORIZONTAL FOOT MOUNT PSM          | A8                |
| B93                | BASE-FACE MOUNT 3 POINT PSM             | A8                |
| BC115              | FRAC DC ANALOG,115AC,50/60HZ,1.5A,1     | E9                |
| BC138              | 3478# KBWM-120 CN3000A57                | E9                |
| BC140              | CS2934A,120/240VAC .5/1-HP SCR CTL,NEMA | E9                |
| BC140-FBR          | 3479G KBMD-240D w/FBR CN3000A54         | E9                |
| BR0100             | PLUG IN RESISTOR                        | E9                |

**DC Motor Performance Data**

Record # 2006 - Typical performance - not guaranteed values

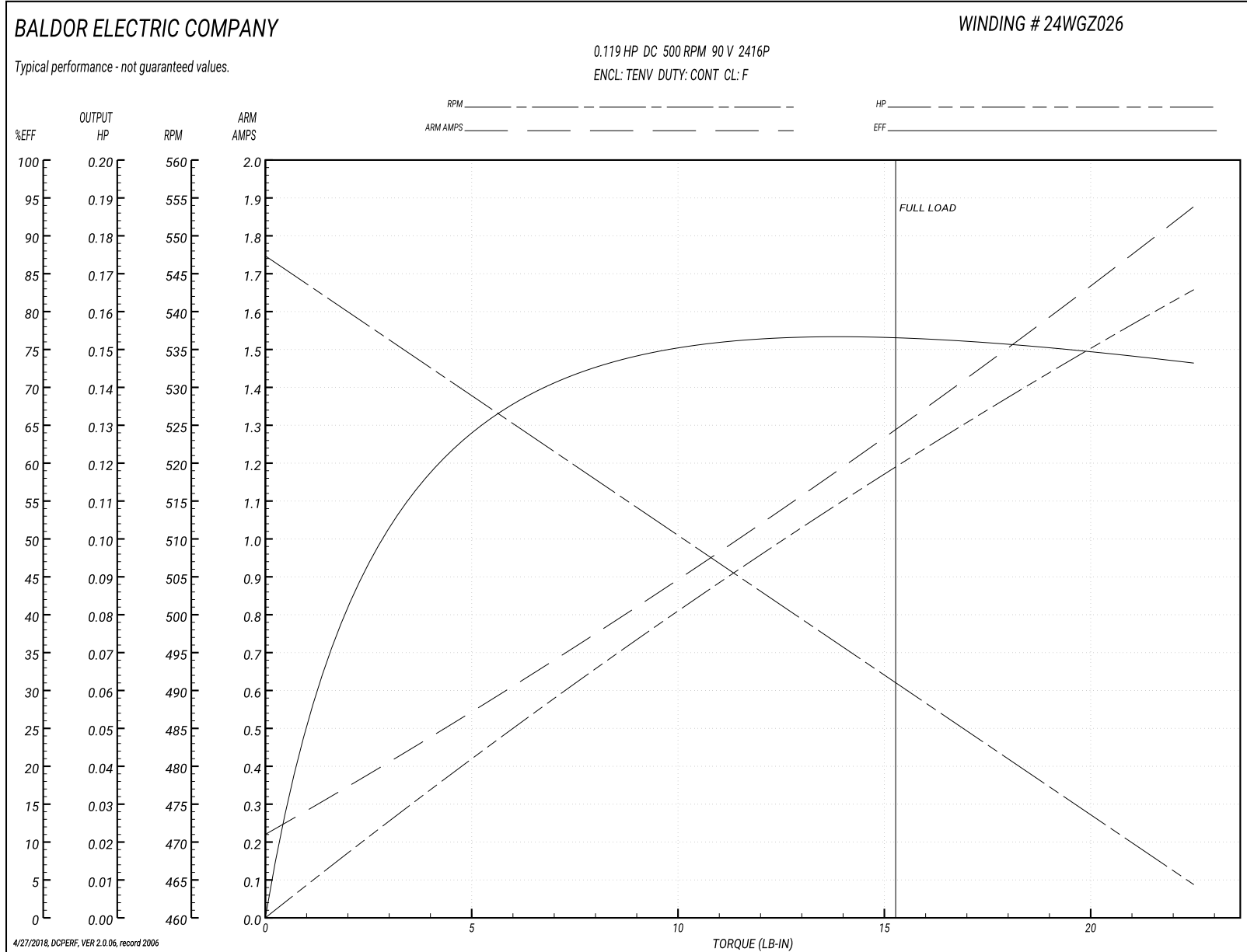
|   |  |  |
|---|--|--|
| <b>Winding:</b> 24WGZ026-R001<br><b>Gear Type:</b> PARALLEL | <b>Type:</b> 2416P<br><b>Gear Style:</b> PSM | <b>Enclosure:</b> TENV<br><b>Gear Ratio:</b> 5:1 |
|---|--|--|

| Nameplate Data    |              | General Characteristics       |                      |
|-------------------|--------------|-------------------------------|----------------------|
| Rated Output (HP) | 0.119        | Armature Resistance @ 25°C    | 6.19 Ω               |
| R.P.M.            | 500          |                               |                      |
| Armature Volts    | 90           | Voltage Constant              | 32 v/krpm            |
| Armature Amps     | 1.28         |                               |                      |
| Field Volts       |              | Armature Inductance           | 21.5 mH              |
| Field Amps        |              | Armature Inertia              | 12.6 OI <sup>2</sup> |
| Rating - Duty     | 40C AMB-CONT |                               |                      |
| Form Factor       | 1.56         | Maximum allowable inrush amps | 12.5                 |
|                   |              |                               |                      |

Load Characteristics at 90 Armature Volts

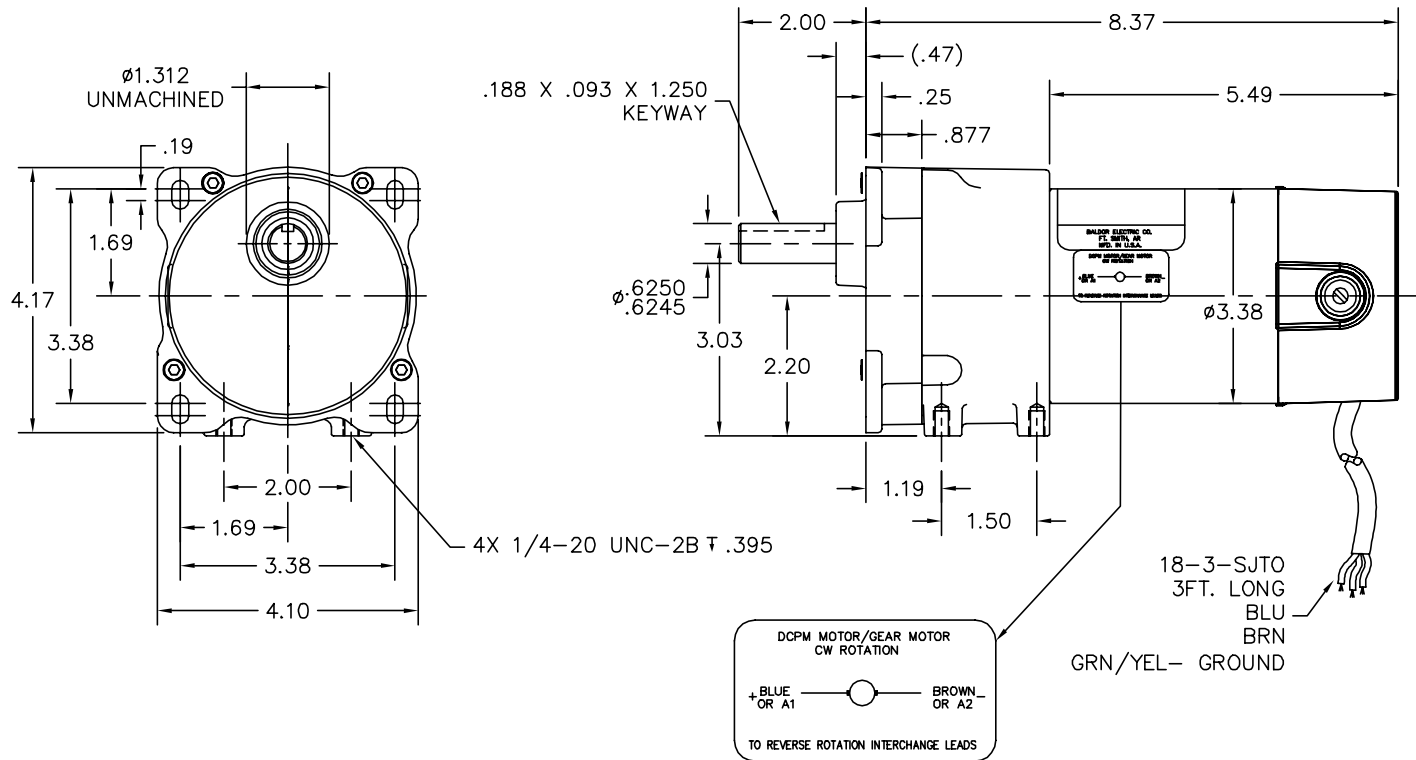
| Load Point       | 1    | 2    | 3   | 4     | 5    | 6     | 7    |
|------------------|------|------|-----|-------|------|-------|------|
| Armature Amps    | 0.23 | 0.45 | 0.7 | 1     | 1.28 | 1.55  | 1.88 |
| R.P.M.           | 546  | 535  | 520 | 505   | 492  | 480   | 463  |
| Torque ( LB-IN ) | 0    | 3.75 | 7.5 | 11.25 | 15   | 18.75 | 22.5 |

Performance Graph at 90.0 Arm V, 0.119HP Typical performance - Not guaranteed values





24A099Z026G1



CUSTOMER IS RESPONSIBLE FOR DETERMINING THAT MOTOR PERFORMANCE IS SUITABLE IN THE APPLICATION.

REV. DESC: REMOVE TAGS CALLOUT ON THE LEADS

REV. LTR: E

VERSION: 05

TDR: 000000490938

**BALDOR • DODGE • RELIANCE**

199Z0Z660AZ

FILE: \CKA\0002\622

REVISED: 16:36:26 02/16/2009

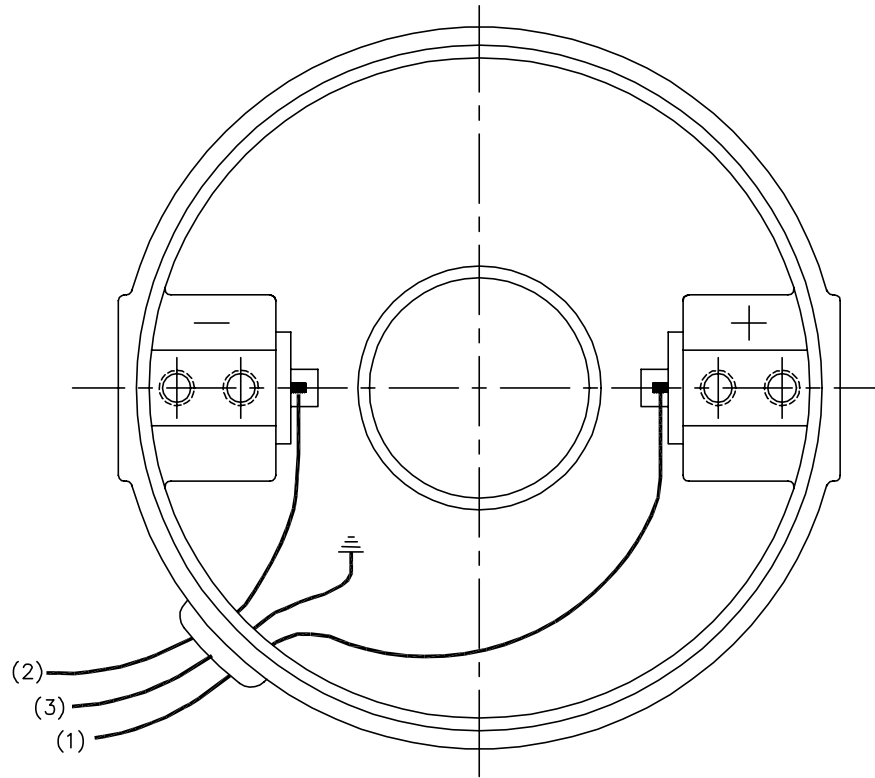
LY,24DC PSM DOM TENV (GPP12540)

MTL: -

BY: CKMARDO

24A099Z026G1

CD1899



(1) COLOR MAY BE  
RED  
WHT  
BLU

(2) COLOR MAY BE  
BLK  
BRN

(3) COLOR WHEN REQ.  
GRN  
GRN/YEL

VIEWED FROM  
DRIVE END

|                |         |                              |             |
|----------------|---------|------------------------------|-------------|
| REV. DESC: NEW |         |                              |             |
| REV. LTR: -    | BY: PAW | REVISED: 09:06:34 09/16/2004 | TDR: 341564 |
| 668100         |         | FILE: CKA00025830            | REF: CD1899 |
|                |         | MTL: -                       |             |

**BALDOR ELECTRIC Co.**

PM,2LD,REV,TANG,CK

CD1899